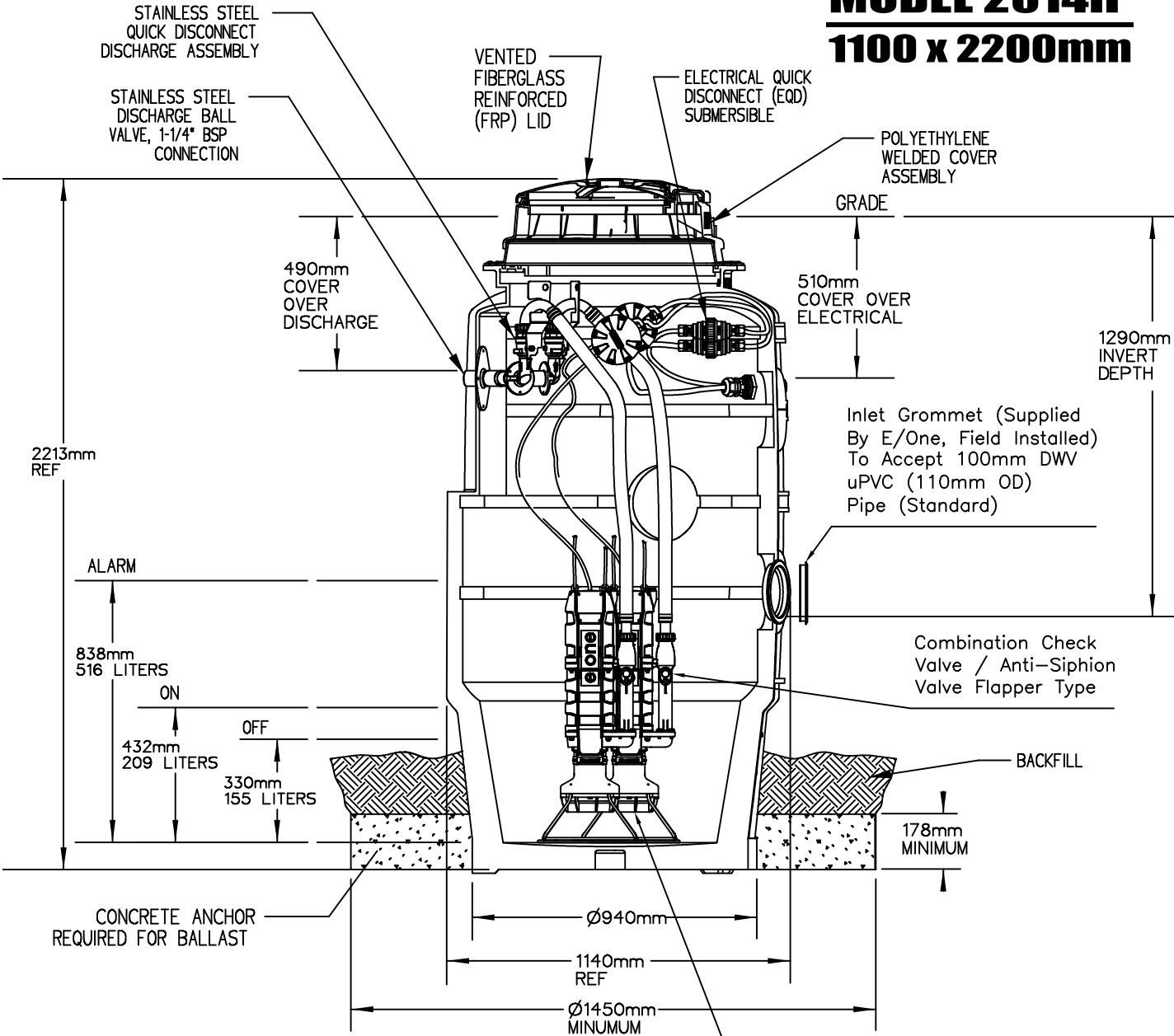


# MODEL 2014iP 1100 x 2200mm



"Extreme" Semi-Positive Displacement Grinder Pumps. Direct Driven By 0.75kW Submersible Motors

SPECIFICATIONS 2014iP - 1100 x 2200

BASIN	Diameter (mm)	Height (mm)	Weight (kg)	Total Capacity (l)	Capacity Above Alarm (l)	Ballast (m3)	Inlet Pipe Size (mm)
	1100	2200	132	1337	821	SEE DWG	100

PUMP	Pump(s)	Dimensions (mm)	Weight (kg)	Nominal Pump Rate @ 0m TDH (lps)	Nominal Pump Rate @ 20m TDH (lps)	Nominal Pump Rate @ 42m TDH (lps)	Discharge Size (mm)	ELECTRICAL	Voltage (VAC)	Phase	Cycle (Hz)	Supply Cable (m)	Alarm Panel
	Duplex (2)	330 X 800	47	.75	.63	.47	32		240	Single	50	As Specified	Duplex (1)



Ecoflow Ltd.  
16b Piermark Drive, North Harbour (NZ)  
P.O Box 300-249, Albany, Auckland  
Ph (09)447-1793 Fax (09) 447-3901

Environment One  
Duplex 1100x2200iP

